

Sidekick™ Foot Pegs

The Sidekick Foot Pegs are convenient footrests for a rear-seated passenger on the Tern GSD.

Safety

Carrying Passengers

⚠ Passenger should NEVER stand, mount or dismount by stepping on the Foot Pegs.

⚠ It may be illegal to carry passengers on a bike in your area even if it has been designed or configured to do so. Check your local regulations before carrying passengers.

Seat Pad

We strongly suggest that the Foot Pegs be used in conjunction with the Sidekick Seat Pad.

Handholds

Whenever the GSD is in motion, the passenger must hold on to something stationary such as Sidekick Bars, frame, saddle or add-on handle.

Helmet

Passengers must wear an approved helmet.

Attire

Avoid wearing loose-fitting clothing such as skirts, pants, and shoelaces which can get caught in the spinning wheel. Take care that all straps are tied down.

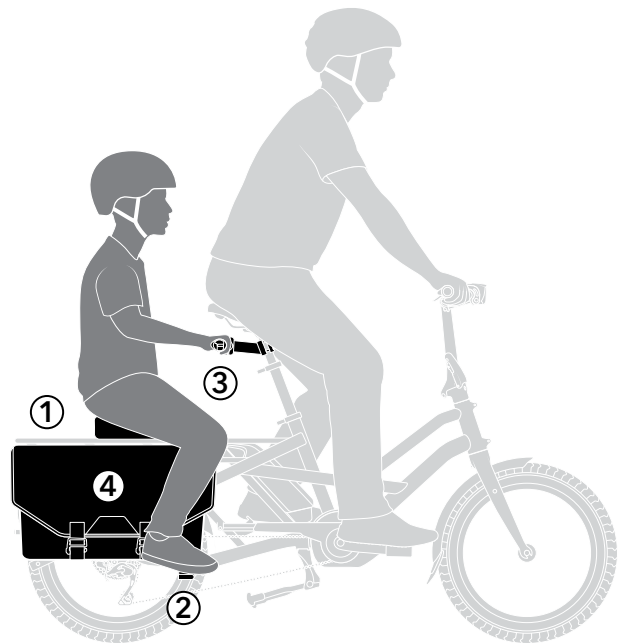
Protection from Tire

Foot Pegs and Seat Pad must be used with a set of flat folding Tern Cargo Hold™ Panniers, Sidekick Wheel Guards, or pannier bags to act as a safeguard from the tire.

Use Proper Equipment

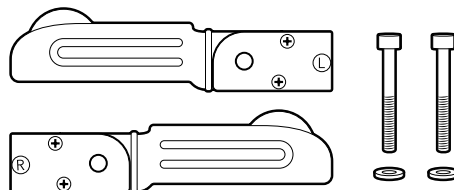


Carrying rear passenger(s) require the GSD to be equipped with (1) proper seating, (2) a pair of foot supports, (3) handholds and (4) foot and leg protection on both sides of the bike.



What's included

- Foot Peg x 2
- M6 Screw x 2
- M6 Washer x 2



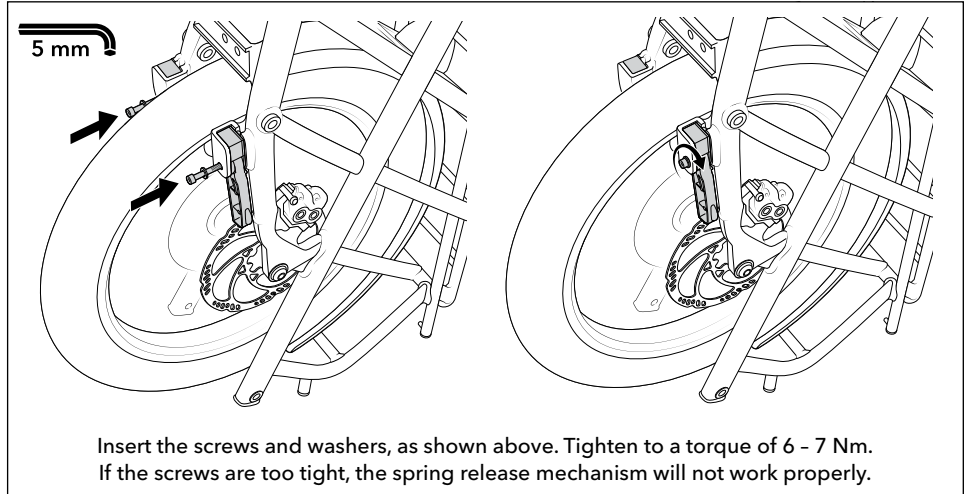
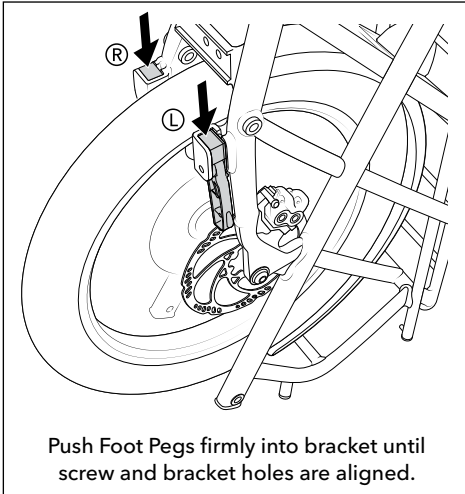
Foot Peg for left-hand side is marked with an "L" and right-hand side is marked with an "R".

Installation

Tools required (not included)

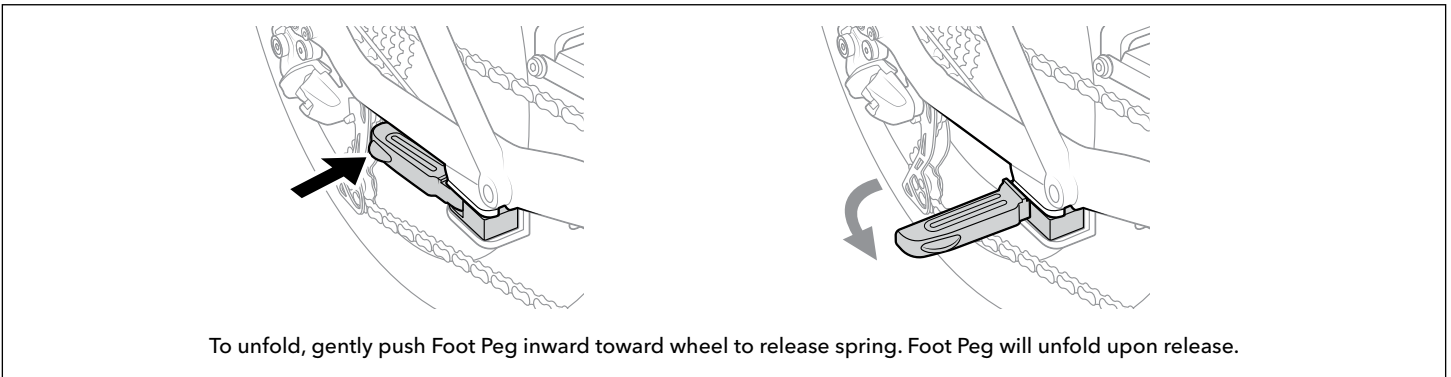
- 5 mm Allen Wrench

Stand GSD in the vertical position for easier access to the Foot Peg brackets.

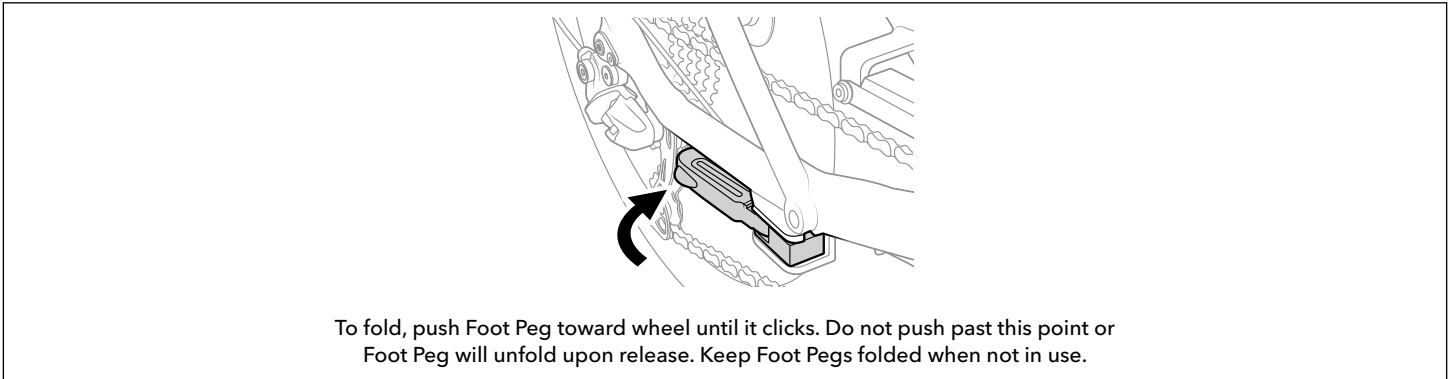


⚠ If you are unsure of how to install this product, please consult a qualified bicycle technician.

Unfolding



Folding



LIMITED PRODUCT WARRANTY INFORMATION:

This Product comes with an ONE (1) YEAR Limited Warranty from the date of retail purchase by the original end-user. If a material or workmanship defect arises and a valid claim is received within the Warranty Period, this Product will be replaced. Mobility Holdings cannot be held liable for damages to personal property due to misuse or improper care and maintenance. This Product Warranty does not, under any circumstance, cover the replacement or cost of any third party product used with or connected to the Product.

Tern, the Tern Werd (logotype), the Tern Berd (device), GSD, Sidekick Foot Pegs, used alone or in combination are trade names, trade devices or registered trademarks of Mobility Holdings, Ltd.

© 2019 Mobility Holdings, Ltd.

   Tern Bicycles

ternbicycles.com