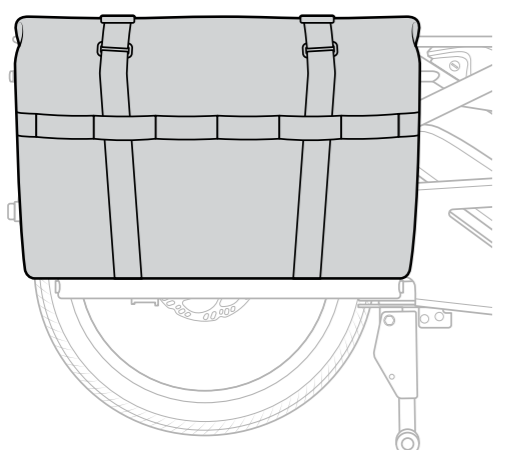


Cargo Hold™ 52 Panniers

Specifications



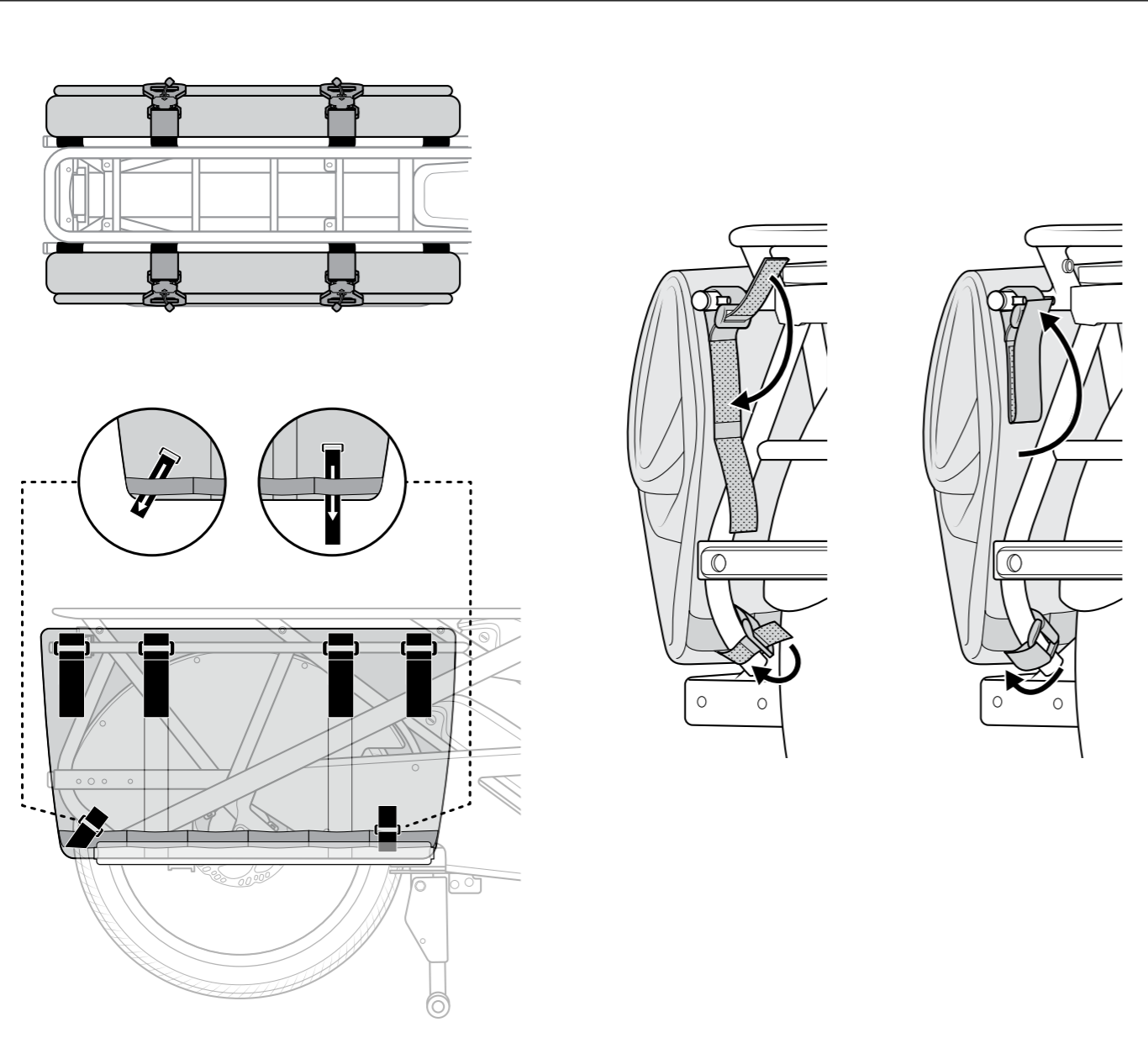
Volume

- 52 L (3,173 cu in) carrying capacity per pannier.

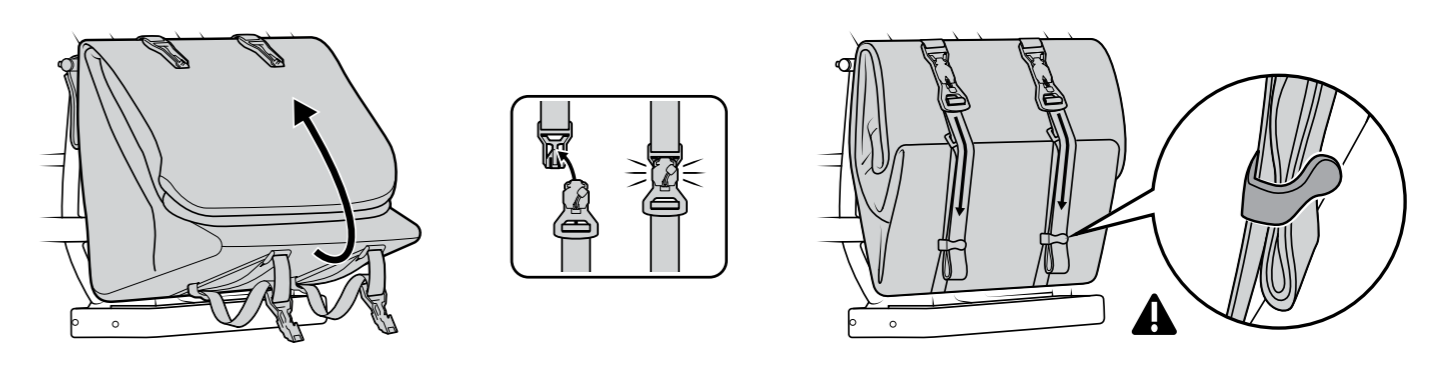
Weight Capacity

- 15 kg (33 lb) max load per pannier.

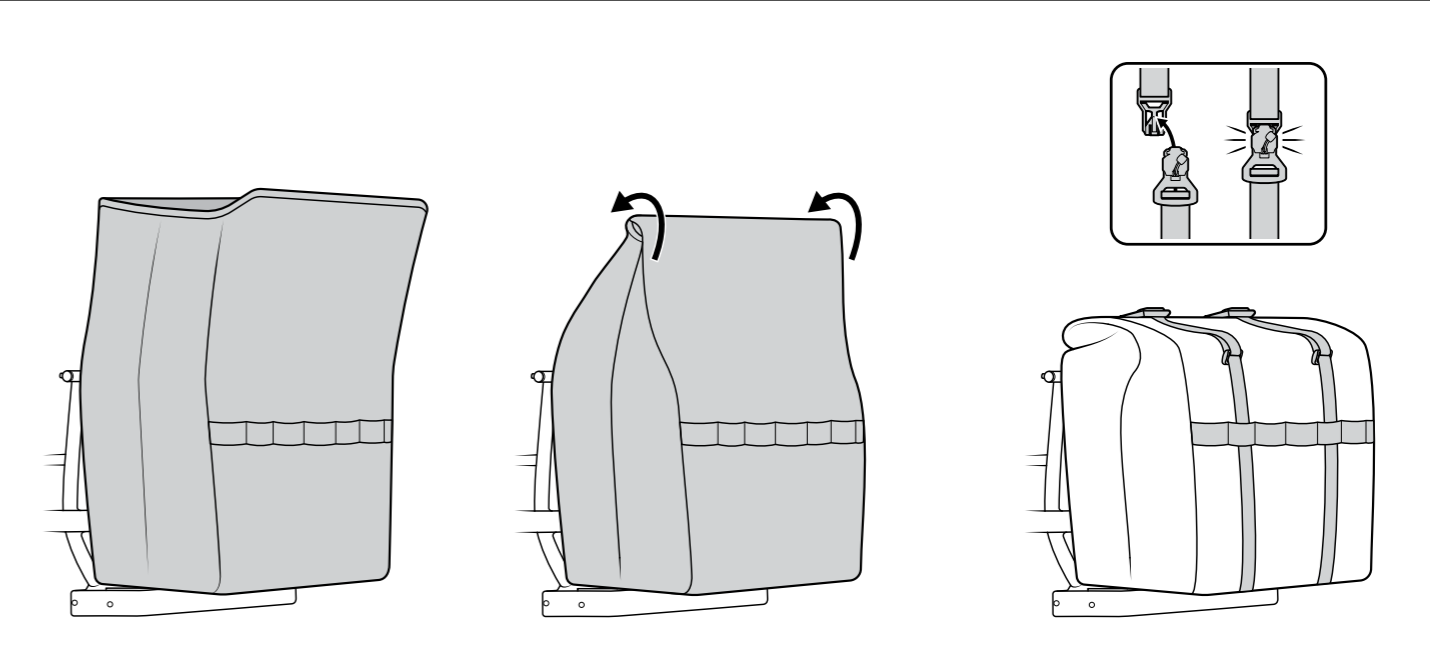
Installation



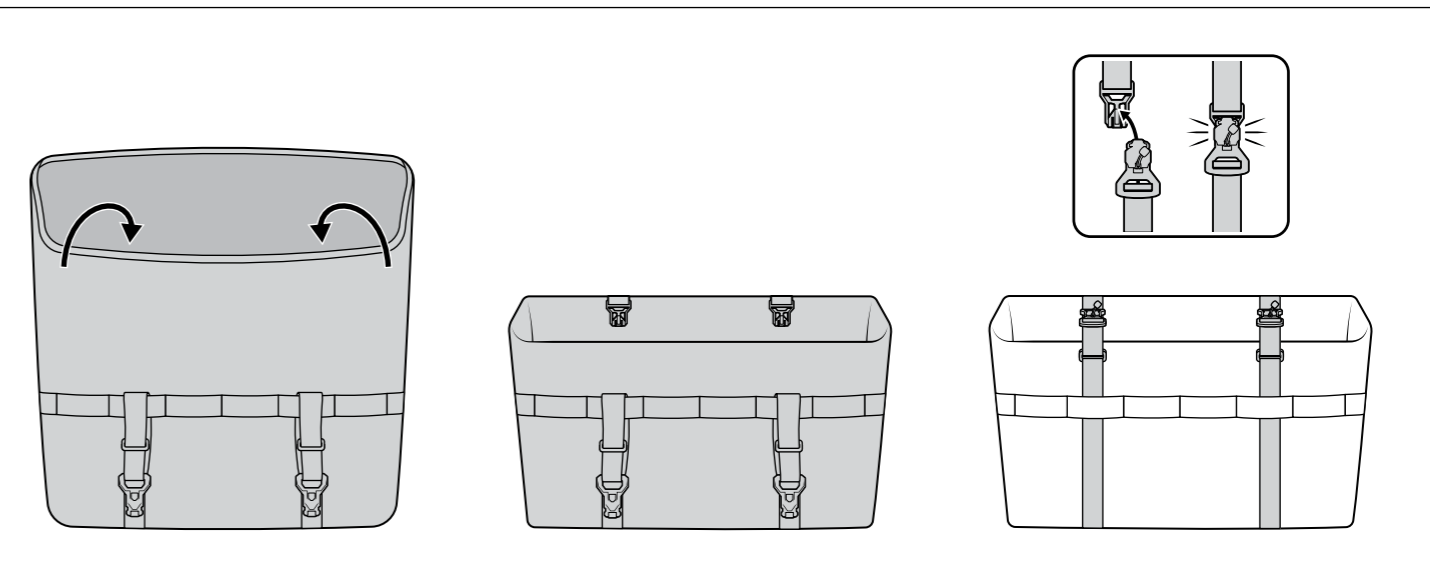
Flat Fold



Roll-Top Closure

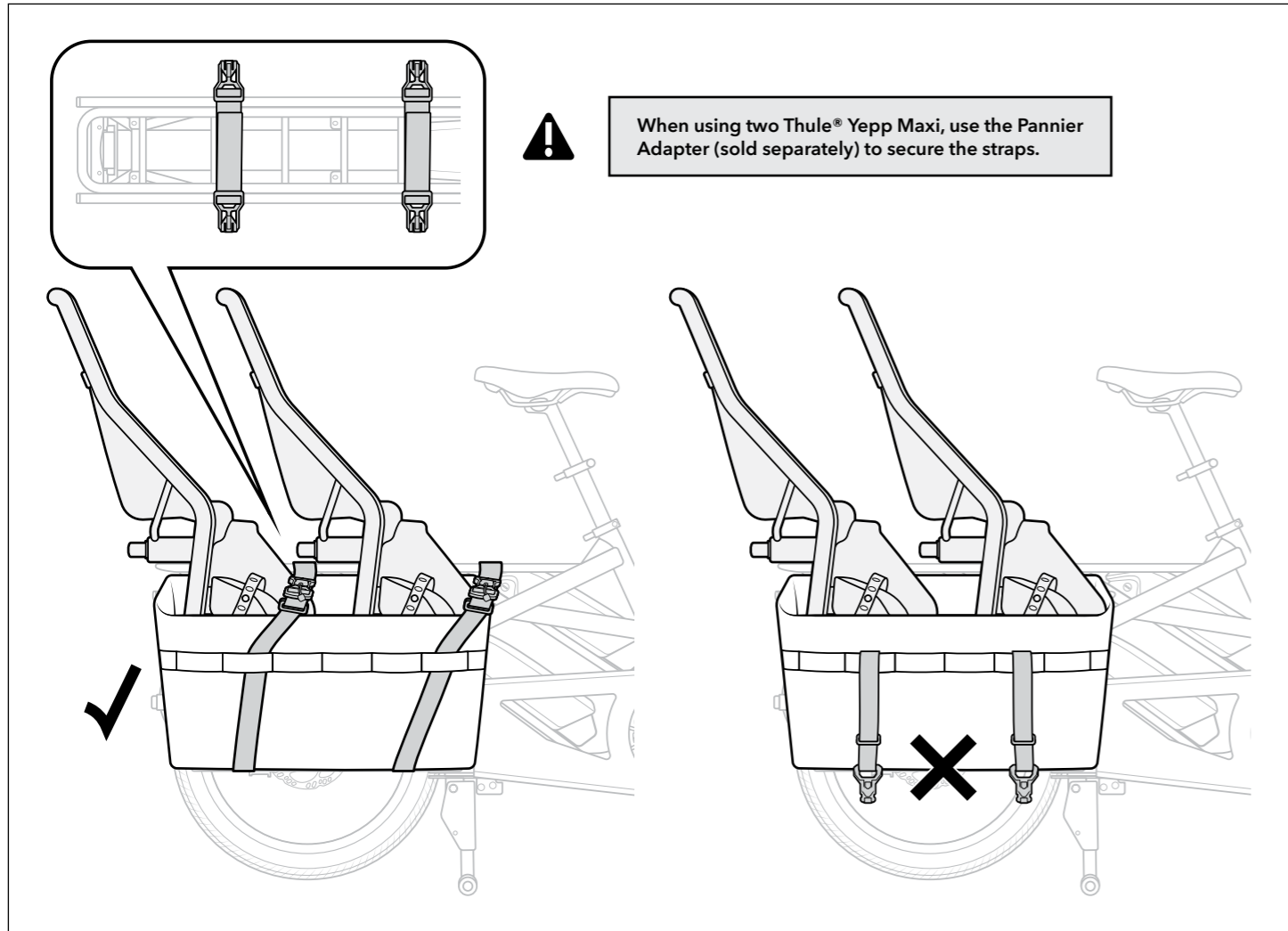


Bucket Mode



Using with Child Seats

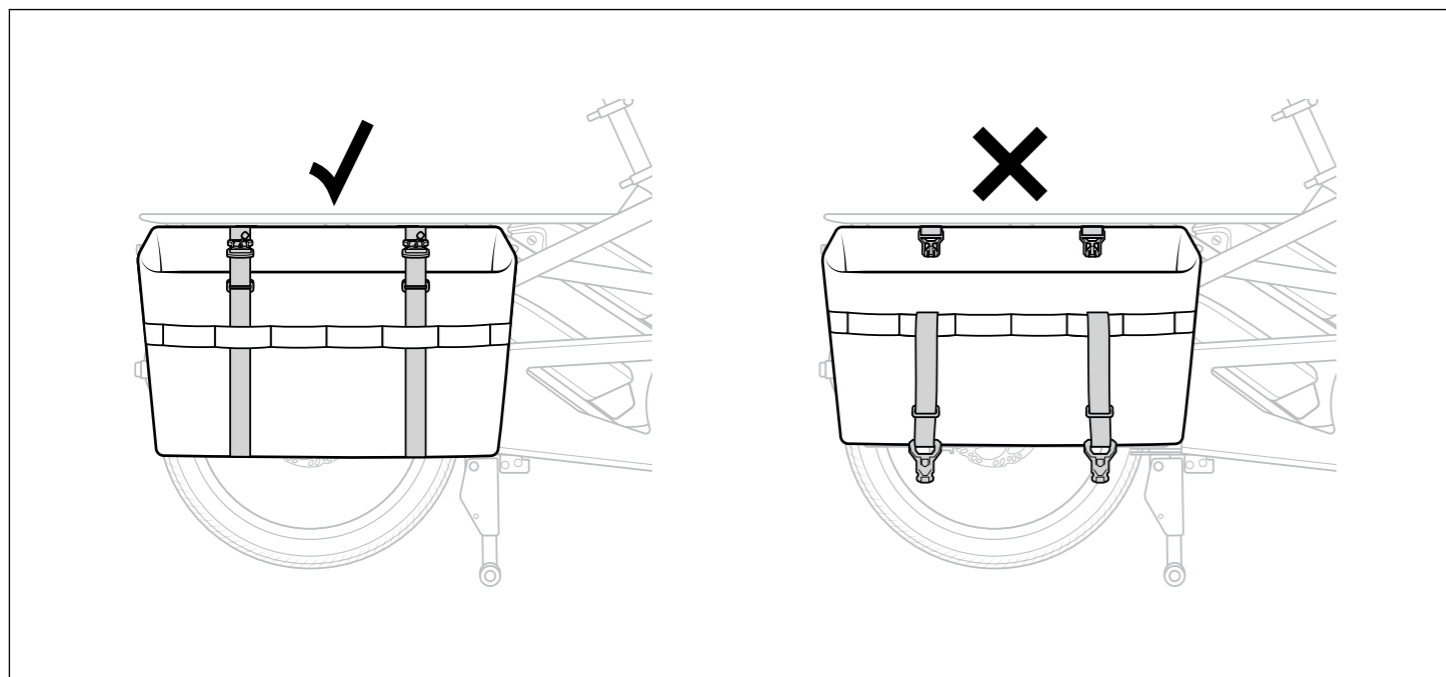
⚠ Please follow the instructions that came with your child seat. Additional mounting recommendations are displayed in enclosed supplemental manuals.



CAUTION

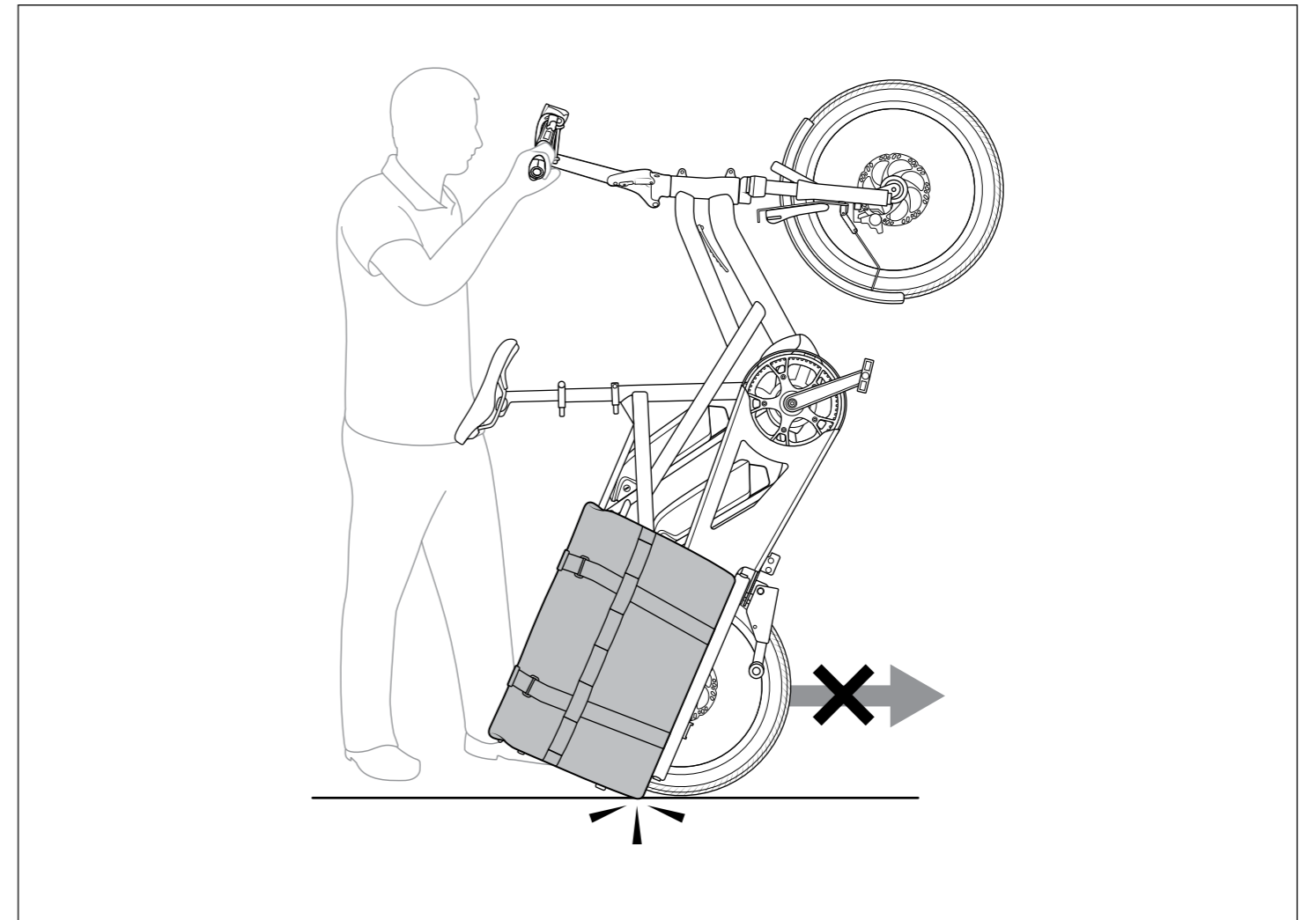
⚠ Always keep front buckle latched when riding. Check by tugging on strap and make sure buckle doesn't come unlatched.

⚠ Do not leave any straps loose or dangling. Secure all straps before riding.



Rolling into Vertical Parking Position

While rolling into the vertical parking position, the Panniers will come into contact with the ground. Please take care when moving the bike into this position. Scratching and damage may occur to the panniers.



LIMITED PRODUCT WARRANTY INFORMATION: This Product comes with a ONE (1) YEAR Limited Warranty from the date of retail purchase by the original end-user. If a material or workmanship defect arises and a valid claim is received within the Warranty Period, this Product will be replaced. Mobility Holdings cannot be held liable for damages to personal property due to misuse or improper care and maintenance. This Product Warranty does not, under any circumstance, cover the replacement or cost of any third party product used with or connected to the Product.

Tern, the Tern Werd (logotype), the Tern Berd (device), GSD, and Cargo Hold used alone or in combination are trade names, trade devices or registered trademarks of Mobility Holdings, Ltd.

Trademarks are the property of their respective owners.

© 2020 Mobility Holdings, Ltd.

f t i @ternbicycles

ternbicycles.com

