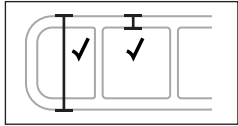


## Getting Started

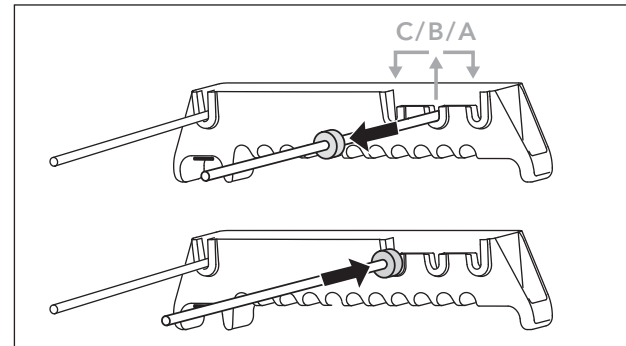
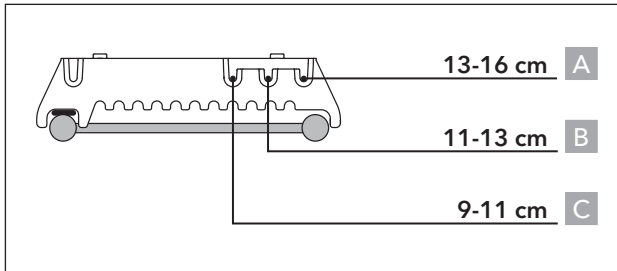
The Market Basket is designed with the KLICKfix® TopKlip mounting system which allows it to fit bicycle racks that are between 9 - 16 cm wide and have a tube diameter between Ø 10 - 16 mm.



To begin, measure the width of your rack and one of your rack tubes (which is the diameter of your tube). If your rack is a Tern or BioLogic rack or is both between 11 - 13 cm wide and has a Ø 14 - 16 mm tube diameter, go directly to the **Mounting the Basket** section on the back.

If your rack does NOT fit within these ranges, you will need to adjust the mount under the basket. Depending on which measurement is out of range, you may need to review both the **How to Adjust for Different Rack Widths** and the **How to Adjust for Different Rack Tube Diameters** sections to learn how to make these modifications.

## How to Adjust for Different Rack Widths



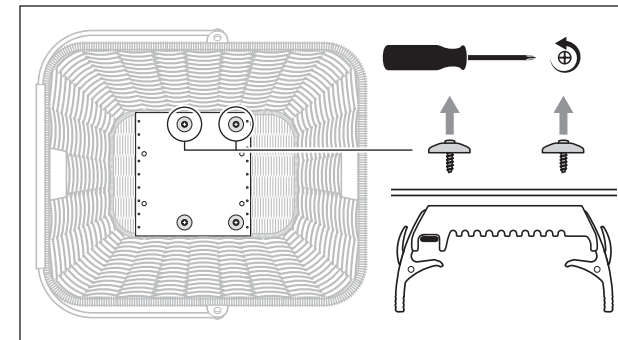
The Market Basket can fit racks between 9 - 16 cm wide. Out of the box, the Market Basket has already been set up to mount on a Tern or BioLogic rack or a rack that is between 11 - 13 cm wide (B). Measure the width of the rack from side to side to determine which setting (A, B or C) to use.

### To fit other rack widths:

1. Slide the rubber rings on the spring rod away from the brackets.
2. Push both ends of the spring rod away from the notch and shift it to the desired position. Please check to see which setting (A, B, or C) is most appropriate.
3. Slide the rubber retainer rings towards the brackets.

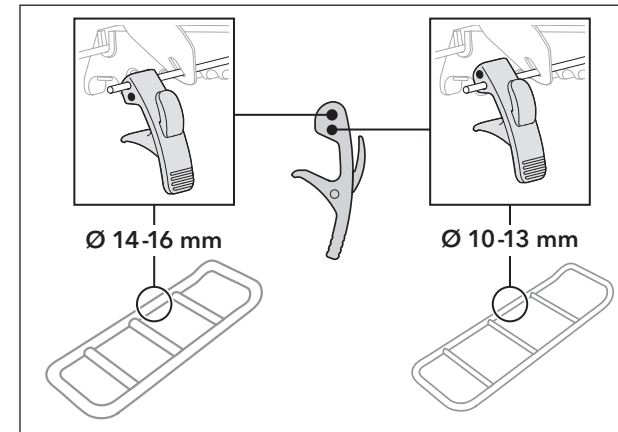
## How to Adjust for Different Rack Tube Diameters

Out of the box, the Market Basket has been set up to fit Ø 14 - 16 mm rack tubes.



### To fit other tube diameters:

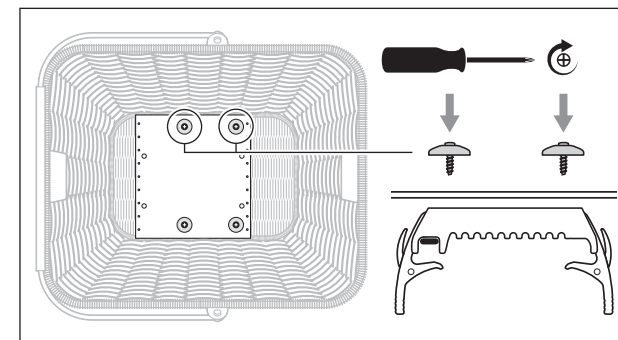
1. Detach one bracket and remove both spring rods.



2. Insert both rods into the appropriate holes and reinsert rods into the bracket.

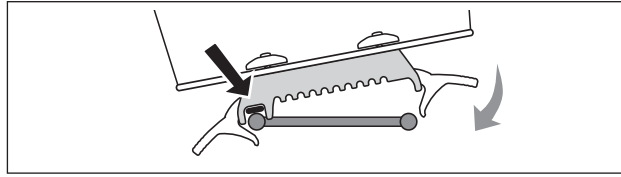
Ø 14-16 mm (upper hole)

Ø 10-13 mm (lower hole):

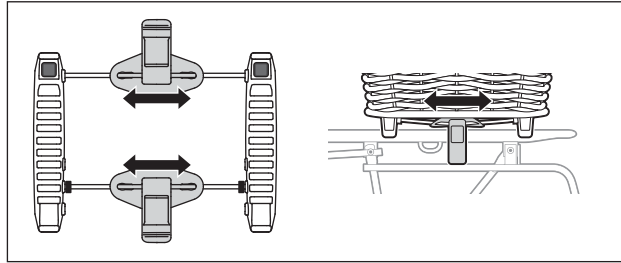


3. Tighten the screws (Max 2 Nm).

## Mounting the Basket

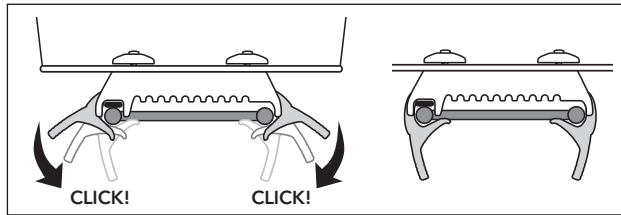


1. Please take note that the basket has red indicators only on one side of the basket. Rest the side with the red indicators on the rack.



2. Set the basket down and check if the levers can close. If not, change the position of the levers anywhere along the spring rod and test again.

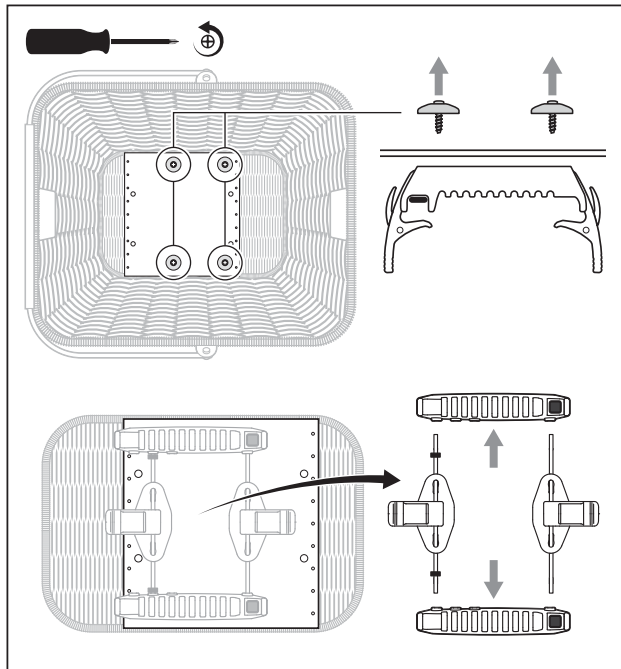
⚠ Ensure that no objects, such as strap holder, prevent the levers from closing completely.



3. Close the levers and make sure the levers click inwards. Please note that the rack tube may sit at different locations on the TopKlip on the non-red side of the basket.

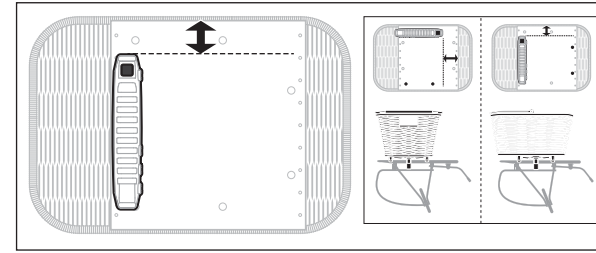
⚠ Make sure that the basket is securely mounted before riding.

## Changing Mounting Orientation



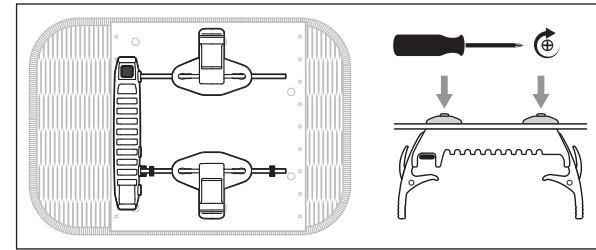
1. Loosen screws of brackets with Cross-Head Screwdriver.

2. Remove spring rods and levers.

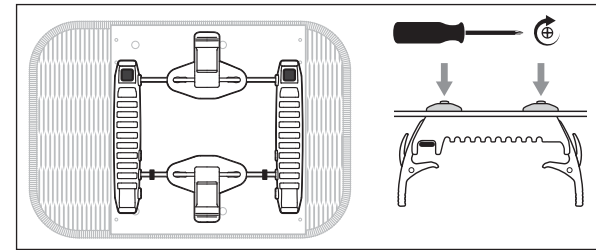


3. Place one bracket in the mounting holes in the desired mounting orientation.

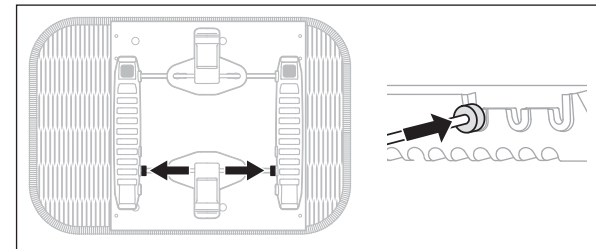
⚠ Note the location of the red indicators relative to the edge of the mounting plate. Incorrect orientation will result in basket being off-center.



4. Reinsert the rods into the bracket.  
*Check the diagrams on the front to determine which position to set the rods in the brackets and levers.*
5. Tighten the screws (Max 2 Nm).



6. Install the other bracket.
7. Tighten the screws (Max 2 Nm).



7. Slide the rubber retainer rings against the brackets.

## Load Capacity

Maximum load capacity: 10 kg (22 lb)

LIMITED PRODUCT WARRANTY INFORMATION: This Product comes with a ONE (1) YEAR Limited Warranty from the date of retail purchase by the original end-user. If a material or workmanship defect arises and a valid claim is received within the Warranty Period, this Product will be replaced. Mobility Holdings cannot be held liable for damages to personal property due to misuse or improper care and maintenance. This Product Warranty does not, under any circumstance, cover the replacement or cost of any third party product used with or connected to the Product.

Tern, the Tern Werd (logotype), and the Tern Berd (device) and Market Basket, used alone or in combination are trade names, trade devices or registered trademarks of Mobility Holdings, Ltd.